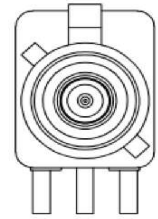
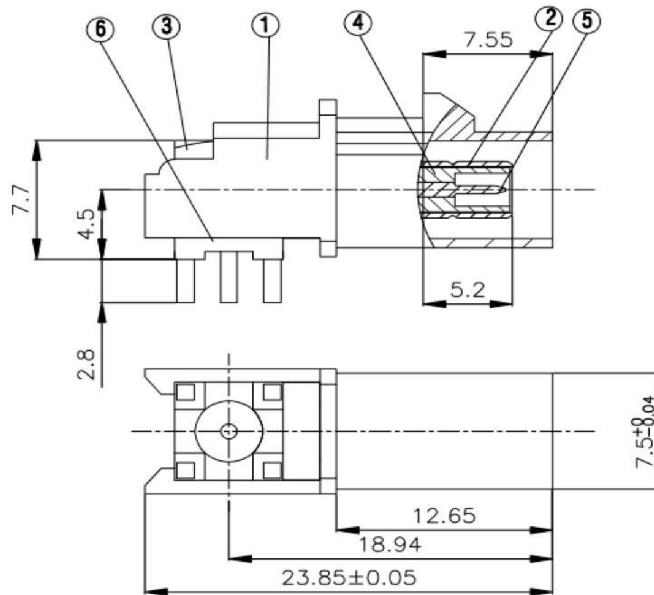
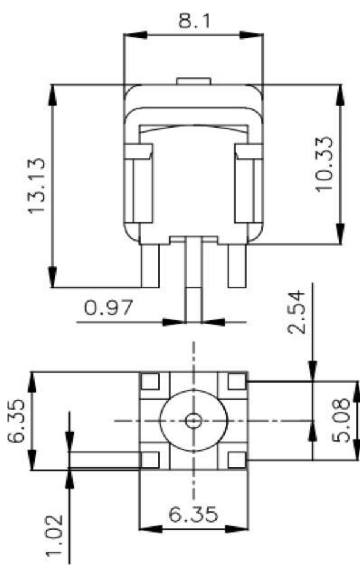
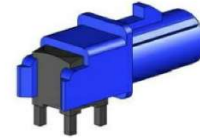
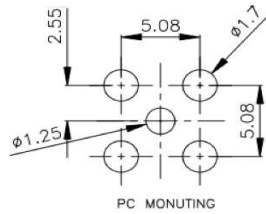


# Fakra 8046 male PCB Mount blue Code C



NO	DESCRIPTION	MATERIAL	Q'TY	FINISH
1	BODY 1	PBT	1	PBT
2	BODY 2	BRASS	1	NICKEL
3	BODY 3	BRASS	1	NICKEL
4	INSULATION 1	TEFLON	1	TEFLON
5	PIN	PH.BRONZE	1	GOLD
6	INSULATION 1	TEFLON	1	TEFLON